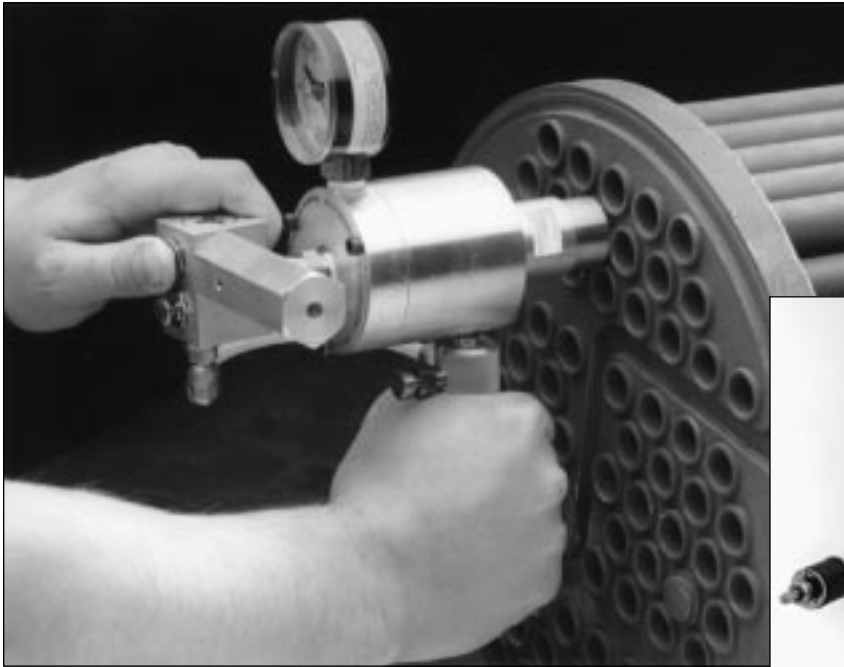



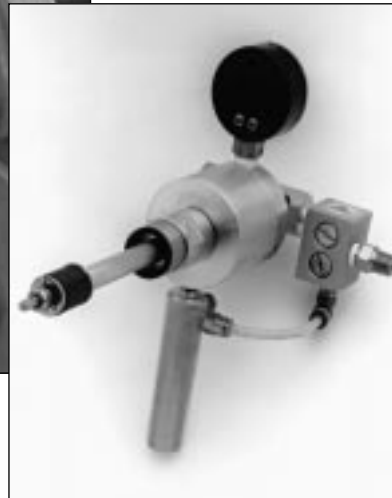


# G-650 Vacuum Joint Testing Gun



	<i>G-650 Testing Guns</i>
	<i>G-150 Testing Guns</i>
	<i>G-450 Testing Guns</i>



## Find Tube Joint Leaks Fast With Unique Vacuum Tester.

EST's G-650 Vacuum Joint Testing Gun uses air pressure to generate a vacuum around the tube to tubesheet joint to pinpoint leaking connections. Just insert the Test Gun into the tube end and press the air control valve to fill the cylinder with air. This expands a seal inside the tube, pulling a second seal firmly against the tubesheet surrounding the tube end. Next press the vacuum control valve to divert air through a venturi, creating a vacuum around the tube joint area. Any reduction in vacuum shown on the integral gauge indicates a faulty tube joint.

Here's what the G-650 Vacuum Joint Testing Gun has to offer:

- **Interchangeable Manifolds:** Allows the G-650 to test tube OD's from 3/8" to 1-1/4" (9.52 to 31.75 mm). The G-650A is used for tube OD's from 1-1/2" to 2-1/2" (38.1 to 63.5 mm).
- **Light Weight:** Weighs less than 2.7 lbs (1.2 kg), when equipped with a 3/4" manifold.
- **Uses standard plant air supplies from 40 to 125 psi.**
- **Standard seal material:** Neoprene, Viton® optional.
- **Quality Assurance System:** Meets requirements of ANSI N45.2, 10CFR50 Appendix B, 10CFR21, and is certified to ISO-9001.



**World Headquarters:**  
Expansion Seal Technologies  
2701 Township Line Road  
Hatfield, PA 19440-1770 USA  
Tel: 1-215-721-1100 Fax: 1-215-721-1101  
Toll-Free: 1-800-355-7044

**Expansion Seal Technologies EMEA**  
Hoorn 312a • 2404 HL Alphen aan den Rijn  
The Netherlands  
Tel: +31-172-418841  
Fax: +31-172 - 418849

**Expansion Seal Technologies Asia Pte Ltd.**  
35 Tannery Rd, #11-10 Tannery Block  
Ruby Industrial Complex  
Singapore 347740  
Tel: +65-6745-8560 Fax: +65-6742-8700

SPECIALISTS IN TUBE TESTING, SLEEVING AND PLUGGING TECHNOLOGY

AN ISO-9001 REGISTERED COMPANY

## G-650/G-650A Vacuum Joint Testing Gun And Replacement Parts

### G-650

Nominal Tube Size	Tube ID Size Range	Testing Gun Part Number	Manifold Part Number	Square Ring Part Number
3/8" (9.5 mm)	.28" to .33" (7.1 to 8.4 mm)	GSC-6506	GSC-6606	GSC-6706
1/2" (12.7 mm)	.28" to .45" (7.1 to 11.4 mm)	GSC-6508	GSC-6608	GSC-6708
5/8" (15.9 mm)	.49" to .58" (12.4 to 14.7 mm)	GSC-6510	GSC-6610	GSC-6710
3/4" (19.1 mm)	.50" to .70" (12.7 to 17.8 mm)	GSC-6512	GSC-6612	GSC-6712
7/8" (22.2 mm)	.57" to .83" (14.5 to 21.1 mm)	GSC-6514	GSC-6614	GSC-6714
1" (25.4 mm)	.70" to .95" (17.8 to 24.1 mm)	GSC-6516	GSC-6616	GSC-6716
1-1/8" (28.6 mm)	.83" to 1.08" (21.1 to 27.4 mm)	GSC-6518	GSC-6618	GSC-6718
1-1/4" (31.8 mm)	.95" to 1.20" (24.1 to 30.5 mm)	GSC-6520	GSC-6620	GSC-6720

### G-650A

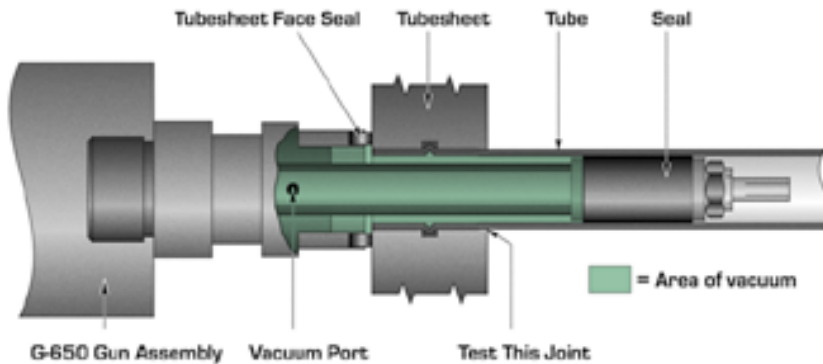
Nominal Tube Size	Tube ID Size Range	Testing Gun Part Number	Manifold Part Number	Square Ring Part Number
1-1/2" (38.1 mm)	1.20" to 1.45" (30.5 to 36.8 mm)	GSC-6524	GSC-6624	GSC-6724
1-3/4" (44.5 mm)	1.45" to 1.70" (36.8 to 43.2 mm)	GSC-6528	GSC-6628	GSC-6728
2" (50.8 mm)	1.70" to 1.95" (43.2 to 49.5 mm)	GSC-6532	GSC-6632	GSC-6732
2-1/4" (57.2 mm)	1.95" to 2.15" (49.5 to 54.6 mm)	GSC-6536	GSC-6636	GSC-6736
2-1/2" (63.5 mm)	2.20" to 2.40" (55.9 to 61.0 mm)	GSC-6540	GSC-6640	GSC-6740

### G-650 Manifold Extensions

For easier testing when a channel head or water box is present

Length (Ft)	Part Number
1 ft. (304.8 mm)	GSC-6700-01
2 ft. (609.6 mm)	GSC-6700-02
3 ft. (914.4 mm)	GSC-6700-03
4 ft. (1,219.2 mm)	GSC-6700-04

**Ordering Information:** When ordering, please provide tube OD and wall thickness.



### G-650/G-650A Neoprene Seal And Washer Sets

Part number, GSC-XXXX-N, where XXXX is the number listed in the chart for the appropriate tube OD and BWG

Tube OD BWG	1/2"	5/8"	3/4"	7/8"	1"	1-1/8"	1-1/4"	1-3/8"	1-1/2"	1-5/8"	1-3/4"	2"	2-1/4"	2-1/2"
8-9	—	0030	0043	0056	0068	0081	0093	0106	0118	0131	0143	0168	0193	0218
10-11	—	0037	0047	0062	0072	0087	0097	0112	0122	0137	0147	0173	0198	0223
12-13	0028	0040	0053	0065	0078	0090	0103	0115	0128	0140	0153	0178	0203	0228
14-15	0033	0047	0056	0072	0083	0097	0110	0122	0134	0147	0158	0183	0208	0232
16-17	0037	0050	0062	0075	0087	0100	0112	0126	0137	0150	0162	0187	0212	0237
18-19	0040	0053	0065	0078	0090	0103	0115	0128	0140	0153	0165	0190	0215	0240
20-24	0043	0056	0068	0081	0093	0106	0118	0131	0143	0156	0168	0193	0218	0243

#### Notes

- G-650 seal and washer sets contain two seals and four washers.
- For seal sizing and part numbers in SWG, metric or other tube sizes, contact EST.

- Optional seal material: Viton®
- Caution: G-650 guns cannot be used where the tubesheet is extremely corroded/eroded; where tube ends are flared and flares overlap; or where tube-to-tubesheet joints are welded.